

GEAR PUMP MANUFACTURING

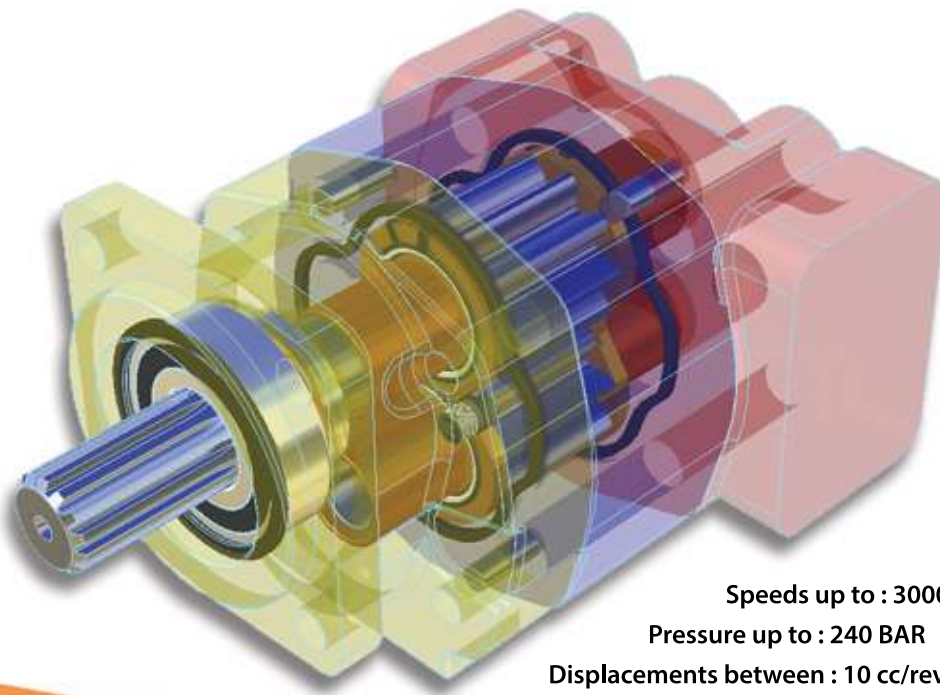
Getting the World into Gear

Bushing Range

SERIES: 215; 230; 250; 265

HYDRAULIC:

- PUMPS
- MOTORS
- FLOW DIVIDERS
- ADD-A-PUMPS
- STEP DOWN PUMPS
- SPARE PARTS



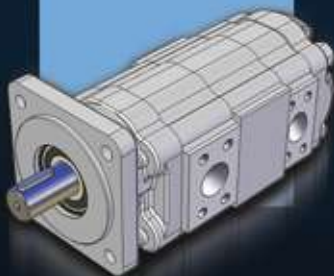
Speeds up to : 3000 RPM

Pressure up to : 240 BAR

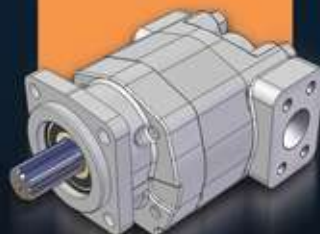
Displacements between : 10 cc/rev - 147 cc/rev

Complete product range:

BEARING PUMPS



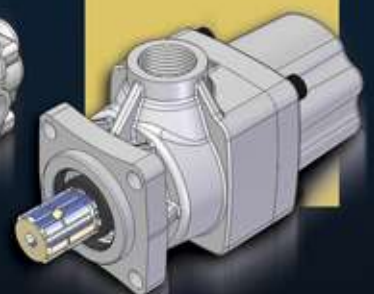
BUSHING PUMPS



PTO GEAR PUMPS

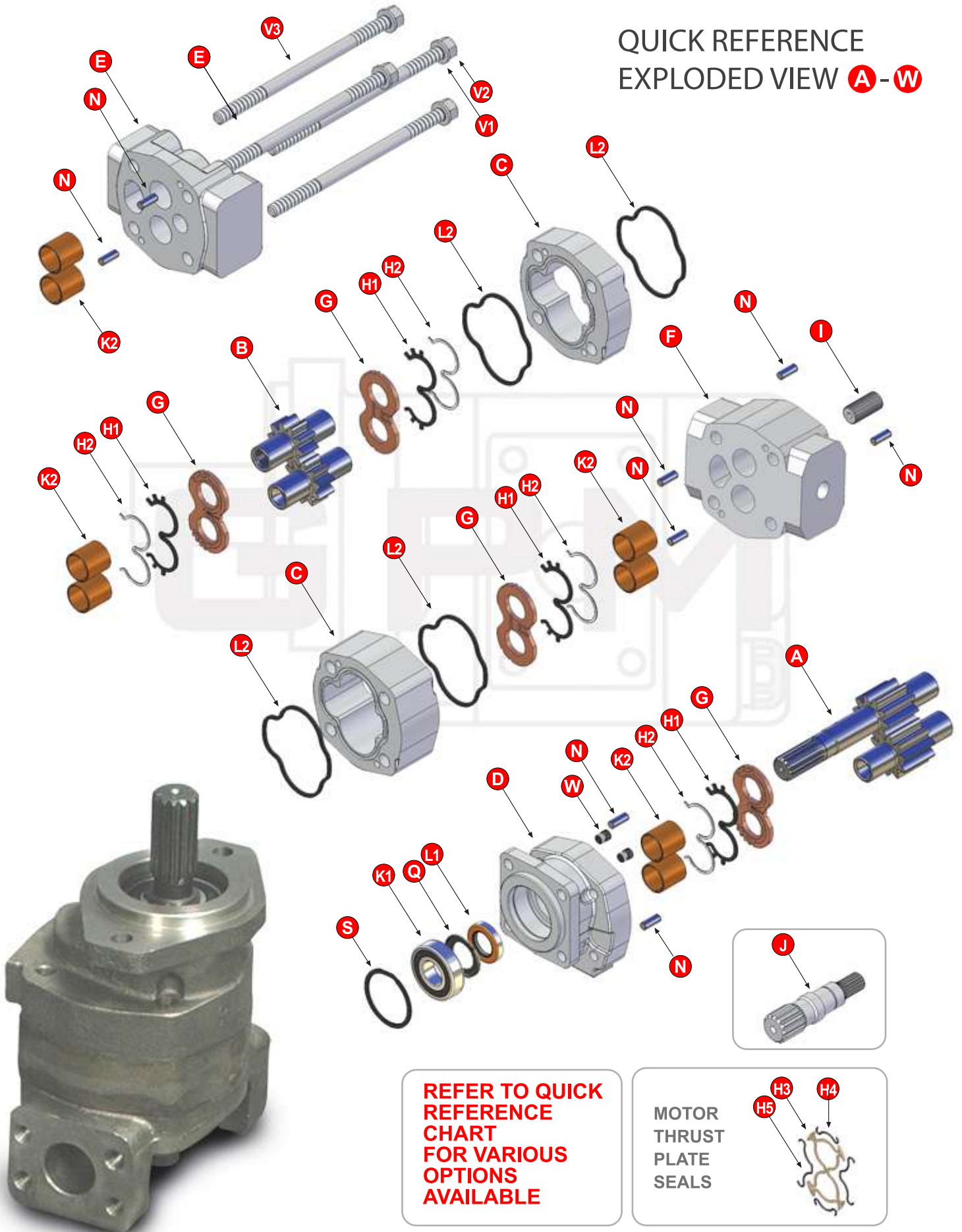


PTO PISTON PUMPS



Bushing Range

QUICK REFERENCE EXPLODED VIEW A - W



**REFER TO QUICK
REFERENCE
CHART
FOR VARIOUS
OPTIONS
AVAILABLE**

**MOTOR
THRUST
PLATE
SEALS**

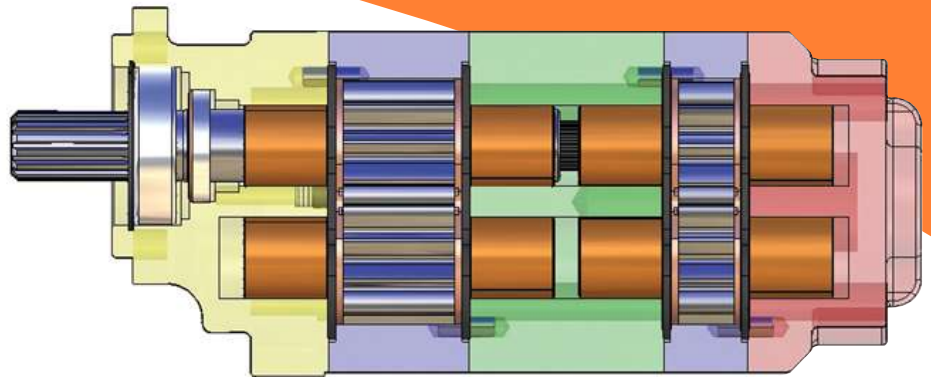
All product listed herein is product manufactured and/or supplied by Gear Pump Manufacturing (Pty) Limited (GPM), a South African manufacturer and supplier of replacement parts and components.
 "Commercial Intertech" is a registered trademark or copyright of the Parker Hannifin Corporation (Parker). Any reference to this entity, its trademark, copyright, product or reference number, is for product comparison and reference purposes only and as such, any referral thereto, should not be construed as implying in any way that Parker product is manufactured or supplied by GPM or that GPM is in any way associated with Parker.

Copyright © 2015 Gear Pump Manufacturing (Pty) Limited. All Rights Reserved. No part of this document may be reproduced in any form or manner without permission.

SABS
ISO 9001

Manufactured in South Africa

PUMP & MOTOR SPECIFICATIONS



Manufactured in South Africa

CODE

DASH SIZE GEAR WIDTH	-05 0.50"(1/2")	-07 0.75"(3/4")	-10 1.00"(1")	-12 1.25"(1 1/4")	-15 1.50"(1 1/2")	-17 1.75"(1 3/4")	-20 2.00"(2")	-22 2.25"(2 1/4")	-25 2.50"(2 1/2")
215									
Gear Housing Width	0.88"(7/8")	1.13"(11/8")	1.38"(13/8")	1.63"(15/8")	1.88"(17/8")	2.13"(21/8")	2.38"(23/8")		
cc/rev	10.00	15.00	20.00	25.00	30.00	35.00	40.00		
Lpm (at 1000rpm)	10.00	15.00	20.00	25.00	30.00	35.00	40.00		
cu in (cu in/rev)	0.61	0.92	1.22	1.59	1.84	2.15	2.44		
US gpm (at 1000rpm)	4.23	6.37	8.51	10.65	12.76	14.90	17.04		
Max Pressure (bar)	240	240	240	240	220	200	170		
Max Pressure (psi)	3500	3500	3500	3500	3200	2900	2500		
Max Speed (rpm)	3000	3000	3000	3000	3000	3000	3000		
Pump Weight (kg)	8.00	8.00	8.00	8.50	9.00	9.50	10.00		
Additional sect add (kg)	8.00	8.00	8.00	8.50	9.00	9.50	10.00		
230									
Gear Housing Width	1.00"(1")	1.25"(1 1/4")	1.50"(1 1/2")	1.75"(1 3/4")	2.00"(2")	2.25"(2 1/4")	2.50"(2 1/2")		
cc/rev	16.00	24.10	32.20	40.30	48.30	56.40	64.50		
Lpm (at 1000rpm)	16.00	24.10	32.20	40.30	48.30	56.40	64.50		
cu in (cu in/rev)	0.99	1.48	1.97	2.46	2.96	3.45	3.94		
US gpm (at 1000rpm)	4.23	6.37	8.51	10.65	12.76	14.90	17.04		
Max Pressure (bar)	240	240	240	240	240	220	200		
Max Pressure (psi)	3500	3500	3500	3500	3200	2900	2500		
Max Speed (rpm)	3000	3000	3000	3000	3000	3000	3000		
Pump Weight (kg)	16.00	16.00	16.00	16.60	17.20	17.80	18.40		
Additional sect add (kg)	14.40	14.40	14.40	14.90	15.50	16.00	16.60		
250									
Gear Housing Width	1.00"(1")	1.25"(1 1/4")	1.50"(1 1/2")	1.75"(1 3/4")	2.00"(2")	2.25"(2 1/4")	2.50"(2 1/2")	2.75"(2 3/4")	3.00"(3")
cc/rev	20.80	31.20	41.70	52.10	62.60	73.00	83.50	94.00	104.40
Lpm (at 1000rpm)	20.80	31.20	41.70	52.10	62.60	73.00	83.50	94.00	104.40
cu in (cu in/rev)	1.28	1.91	2.55	3.19	3.82	4.46	5.10	5.74	6.38
US gpm (at 1000rpm)	5.50	8.24	11.02	13.76	16.54	19.29	22.06	24.84	27.58
Max Pressure (bar)	240	240	240	240	240	220	200	190	170
Max Pressure (psi)	3500	3500	3500	3500	3500	3250	3000	2750	2500
Max Speed (rpm)	2400	2400	2400	2400	2400	2400	2400	2400	2400
Pump Weight (kg)	22.70	22.70	22.70	23.40	24.10	24.80	25.50	26.20	26.90
Additional sect add (kg)	22.70	22.70	22.70	23.40	24.10	24.80	25.50	26.20	26.90
265									
Gear Housing Width		1.25"(1 1/4")	1.50"(1 1/2")	1.75"(1 3/4")	2.00"(2")	2.25"(2 1/4")	2.50"(2 1/2")	2.75"(2 3/4")	3.00"(3")
cc/rev		44.00	59.00	73.50	88.00	102.00	118.00	132.60	147.00
Lpm (at 1000rpm)		44.00	59.00	73.50	88.00	102.00	118.00	132.60	147.00
cu in (cu in/rev)		2.68	3.60	4.49	5.37	6.22	7.20	8.09	8.97
US gpm (at 1000rpm)		11.62	15.59	19.42	23.25	26.95	31.18	35.03	38.84
Max Pressure (bar)		240	240	240	240	240	240	220	200
Max Pressure (psi)		3500	3500	3500	3500	3500	3500	3250	3000
Max Speed (rpm)		2400	2400	2400	2400	2400	2400	2400	2400
Pump Weight (kg)		24.90	24.90	26.00	27.10	28.20	29.30	30.40	31.50
Additional sect add (kg)		22.70	22.70	23.40	24.10	24.80	25.50	26.20	26.90

THE ABOVE DATA ARE AVERAGE RESULTS BASED ON A SERIES OF TESTS AND ARE NOT NECESSARILY REPRESENTATIVE OF ANY SINGLE UNIT. GEAR PUMP MANUFACTURING RESERVES THE RIGHT TO AMEND THE TECHNICAL DATA WITHOUT NOTICE.

Useful Formulae	To Convert	Inches	Bar	Cu in/rev	US GPM	US GPM	kg
	Into	Millimeters	Psi	cc/rev	Cu In/rev	cc/rev	lbs
	Multiply by	25.4	14.5	16.39	2.31	3.785	2.205

GP = PUMP
GM = MOTOR
GF = FLOW DIVIDER
GA = ADD-A-PUMP
GB = STEP DOWN
GZ = PUMP / MOTOR COMBO

Bushing Range

QUICK REFERENCE - Parts list **A** to **G**

	215	230	250	265
SOLID SHAFT GEAR SET				
7/8" KEY SAE B		ADC-230-??		
7/8" KEY SHORT SAE B	ADK-215-??			
1" KEY SAE BB		AEC-230-??	ATF-250-??	
1 1/8" KEY (JCB)		AHC-230-??		
1 5/16" KEY with 7/8" UNF thread		ATH-230-??		
1 1/4" KEY SAE C			ASF-250-??	AAG-265-??
22 MM KEY METRIC	AAO-215-??			
9 SPLINE 5/8" SHORT SAE A	AZK-215-??			
10 SPLINE 30mm OD				AIR-265-??
11 SPLINE 3/4"	AGK-215-??			
13 SPLINE 7/8" SAE B		ABC-230-??	AVF-250-??	ABG-265-??
13 SPLINE 7/8" SHORT SAE B	ABK-215-??	ABC-230-4-??		
13 SPLINE 7/8" XTRA SHORT (FORD) SAE B		AFD-230-??		
14 SPLINE 1 1/4" SAE C			APF-250-??	ANG-265-??
14 SPLINE 1 1/4" SAE C LONG				ANG-265-L-??
14 SPLINE (CLARK) 1 1/4"			ACL-250-??	
15 SPLINE 1" SAE BB	AAK-215-??	AAC-230-??	AAF-250-??	
17 SPLINE 1 1/8" (CASE)			ACF-250-??	
TAPER (FORD)	AFR-215-??			
TAPER 1:8 (GROUP 3)	AEK-215-??			
TAPER 1:5	ATK-215-??			
FORD		AFD-230-??		
LUBE PUMP - DOSCO SPL	ASK-215-??			
**Substitute ?? with Gear Width Code				
LOOSE GEAR SETS				
STANDARD	BVK-215-??	BVC-230-??	BMF-250-??	BPG-265-??
**Substitute ?? with Gear Width Code				
GEAR HOUSINGS				
PUMP	CRK-215-??	CRC-230-??	CMH-250-??	CSG-265-??
MOTOR	CLK-215-??	CSC-230-??	CLF-250-??	CLG-265-??
**Substitute ?? with Gear Width Code				
SHAFT END COVERS				
2 BOLT 3.25" SAE A	DWK-215	DWC-230		
2 BOLT 3.25" SAE A WITH S/RETAINER	DWK-215-SPL			
2 BOLT 3.25" SAE A MOTOR	DWK-215-M			
2 BOLT 4" SAE B	DGK-215	DGC-230	DRF-250	DRG-265
2 BOLT 4" SAE B MOTOR	DGK-215-M			DRG-265-M
2 BOLT 4" SAE B SHORT		DGC-230-SH		
2 BOLT 4" XTRA SHORT (FORD)		DFD-230		
2 BOLT 5" SAE C		DNC-230	DNF-250	DVG-265
2 BOLT 5" SAE C MOTOR				DVG-265-M
4 BOLT 4" SAE B	DEK-215	DEC-230	DHF-250	DSG-265
4 BOLT 4" SAE B MOTOR				DSG-265-M
4 BOLT 5" SAE C		DPC-230	DKF-250	DTG-265
4 BOLT 5" SAE C MOTOR				DTG-265-M
4 BOLT DIN PTO			DZF-250	
4 BOLT GROUP 3 EURO	DHK-215			
2/4 BOLT 4" SAE B			DDB-250-4	
2/4 BOLT 4" SAE B SHORT			DDB-250-4-SH	
2/4 BOLT 5" SAE C			DDB-250-5	
PAD MOUNT FAN MOTOR	DFK-215-M			
LUBE PUMP - DOSCO SPL	DSK-215			
FORD - 3 BOLT 95.2 spigot	DFR-215			
PORT END COVERS				
PORTED	EUK-215	EUC-230	EWF-250	EWG-265
PORTED 4 PORT	EUK-215-4	EUC-230-4	EWF-250-4	
TANDEM	EXK-215	EXC-230	EZF-250	EYG-265
MOTOR	EUK-215-M	EUC-230-M	EUF-250-M	EWG-265-M
MOTOR TANDEM				EYG-265-M
FAN MOTOR	EPK-215-M			
FORD - WITH INLET TUBE		EFD-230		
STEP DOWN CW		EPB-230/215 CW	EPB-250/215 CW	EPB-265/230 CW
STEP DOWN CCW		EPB-230/215 CCW	EPB-250/215 CCW	EPB-265/230 CCW
ADD A PUMP 2 BOLT A CW			EAAP250 2bA CW	EAAP265 2bA CW
ADD A PUMP 2 BOLT A CCW			EAAP250 2bA CCW	EAAP265 2bA CCW
ADD A PUMP 2 BOLT B CW			EAAP250 2bB CW	EAAP265 2bB CW
ADD A PUMP 2 BOLT B CCW			EAAP250 2bB CCW	EAAP265 2bB CCW
BEARING CARRIERS				
1 OUTLET	FYK-215-1	FWC-230-1	FTF-250-1	FZG-265-1
2 OUTLET	FYK-215-2	FWC-230-2	FTF-250-2	FZG-265-2
MOTOR	FYK-215-M	FWC-230-M	FTF-250-M	FZG-265-M
3" SUCTION				FZG-265-3
THRUST PLATES				
PUMP	GCI-215	GCI-230	GCI-250	GCI-265
MOTOR	GM-215	GM-230	GM-250	GM-265

All product listed herein is product manufactured and/or supplied by Gear Pump Manufacturing (Pty) Limited (GPM), a South African manufacturer and supplier of replacement parts and components.
 "Commercial Intertech" is a registered trademark or copyright of the Parker Hannifin Corporation (Parker). Any reference to this entity, its trademark, copyright, product or reference number, is for product comparison and reference purposes only and as such, any referral thereto, should not be construed as implying in any way that Parker product is manufactured or supplied by GPM or that GPM is in any way associated with Parker.

Copyright © 2015 Gear Pump Manufacturing (Pty) Limited. All Rights Reserved. No part of this document may be reproduced in any form or manner without permission.

SABS
ISO 9001

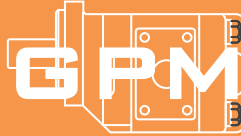
Manufactured in South Africa

QUICK REFERENCE - Parts list **H** to **W**

	215	230	250	265
THRUST PLATE SEALS				
H PUMP CHANNEL SEAL (H1)	HCI-215-CS	HCI-230-CS	HCI-250-CS	HCI-265-CS
PUMP CHANNEL SEAL BACKUP (H2)	HCI-215-CSBU	HCI-230-CSBU	HCI-250-CSBU	HCI-265-CSBU
MOTOR SEAL BACKUP (H3)	HM-215-MSBU	HM-230-MSBU	HM-250-MSBU	HM-265-MSBU
MOTOR END SEAL (H4)	HM-215-MES	HM-230-MES	HM-250-MES	HM-265-MES
MOTOR SIDE SEAL (H5)	HM-215-MSS	HM-230-MSS	HM-250-MSS	HM-265-MSS
CONNECTING SHAFTS				
I STANDARD	I-ZK-215	I-ZC-230	I-YF-250	I-AG-265
STEP DOWN		IPB-230/215	IPB-250/215	IPB-265/230
ADD A PUMP with 9 SPLINE			IAAP-250/9SPL	IAAP-265/9SPL
ADD A PUMP with 13 SPLINE			IAAP-250/13SPL	IAAP-265/13SPL
ADD A PUMP with 15 SPLINE				IAAP-265/15SPL
DIN/SAE B COUPLING	I-DIN/SAE B	I-DIN/SAE B	I-DIN/SAE B	
LOOSE SHAFTS				
J 7/8" KEY		JCK-230		
7/8" KEY LONG		JCK-230-L		
1" KEY	JGD-215	JCD-230		
1" KEY LONG	JGD-215-L			
1 1/8" KEY		JHH-230	JHH-250	
1 1/4" KEY		JCW-230	JAC-250	JLG-265
1 1/4" KEY with 1/2" thread			JKE-250	
6 SPLINE 1 1/4"		JKD-230		
8 SPLINE DIN			JDI-250	
14 SPLINE 1 1/4" SAE C		JCH-230	JAP-250	
15 SPLINE 1" SAE BB			JFG-250	
17 SPLINE Komatsu 1 1/2"				JKG-265
BEARINGS / BUSHES				
K BUSHES (K2)	KBUSH-215	KBUSH-230	KBUSH-250	KBUSH-265
SHAFT BALL BEARING (K1)		KX-131-40	KX-151-58	KX-176-59
ADD A PUMP			KAAP-250/265	KAAP-250/265
SEALS				
L BODY SEALS	LUB-215-239	LUB-131-242	LUB-250-244	LUB-265-250
MOTOR BODY SEAL	LUB-215-239M			
PUMP SEAL STANDARD	LX-215	LX-131-16	LX-151-17	LX-176-10
MOTOR SEAL STANDARD	LX-215-M	LX-131-9	LX-151-8	LX-176-1
PUMP SEAL TELLTALE			LPA-250-TT	
PUMP SEAL LOOSE SHAFT		LX-131-18		
MOTOR SEAL LOOSE SHAFT		LX-131-11		
PUMP SEAL VITON		LX-131V-16	LX-151V-17	LX-176V-10
RETAINERS				
M SEAL RETAINER MOTOR	MFR-215			
SEAL RETAINER LUBE PUMP - DOSCO SPL	MSK-215			
SEAL RETAINER TELLTALE		MNA-230-1	MPA-250	MTT-265
DOWELS				
N STANDARD	NDOWEL-215	NDOWEL-131	NDOWEL-131	NDOWEL-265
MOTOR				NDOWEL-265M
SPACERS				
Q SEAL SPACER	QAE-215	QAE-131	QAC-151	
BEARING SPACER		QVB-131-2	QVB/AC-151	QVB-176
SHAFT SPACER (CONTI)		QTB-131		QAF-176
KEYS				
R 7/8" SHAFT	RX-18	RX-18	RX-18	
1" SHAFT	RX-16	RX-16	RX-16	
1 1/8" SHAFT		RX-54	RX-54	
1 1/4" SHAFT		RX-19	RX-19	RX-19
1:8 TAPER SHAFT (AEK)	RX-506			
1:5 TAPER SHAFT (ATK/AFR)	RX-505			
SNAP RINGS / CIRCLIPS				
S SHAFT		SX-131-100	SX-151-125	SX-176-137
SHAFT END COVER	SX-215	SX-131-206	SX-151-283	SX-176-315
ADD A PUMP			SAAP250/265	SAAP250/265
FASTENERS				
V BOLTS	VBOLT 1/2" X ?	VBOLT 5/8" X ?	VBOLT 5/8" X ?	VBOLT 5/8" X ?
NUTS	VNUT 1/2"	VNUT 5/8"	VNUT 5/8"	VNUT 5/8"
WASHERS	VWASHER 1/2"	VWASHER 5/8"	VWASHER 5/8"	VWASHER 5/8"
WASHERS 265 MOTOR				VWASHER 3/4"
STUDS 06"-11" EXTENDED THREAD ON ONE SIDE	VSTUD 1/2"X6-11	VSTUD 5/8"X6-11	VSTUD 5/8"X6-11	VSTUD 5/8"X6-11
STUDS 11"-16" EXTENDED THREAD ON ONE SIDE	VSTUD 1/2"X11-16	VSTUD 5/8"X11-16	VSTUD 5/8"X11-16	VSTUD 5/8"X11-16
STUDS 16"-21" EXTENDED THREAD ON ONE SIDE	VSTUD 1/2"X16-21	VSTUD 5/8"X16-21	VSTUD 5/8"X16-21	VSTUD 5/8"X16-21
STUDS 21"-26" EXTENDED THREAD ON ONE SIDE	VSTUD 1/2"X21-26	VSTUD 5/8"X21-26	VSTUD 5/8"X21-26	VSTUD 5/8"X21-26
**Substitute ? with Bolt Length (Imperial)				
SMALL PARTS				
W PLUG DRAIN	WX-131-11	WX-131-11	WX-131-11	WX-131-11
PLUG SHAFT END COVER	WT-131-1391	WT-131-1391	WT-131-1391	WT-131-1391
CHECK VALVES	WM-131-1391	WM-131-1391	WM-131-1391	WM-131-1391

All product listed herein is product manufactured and/or supplied by Gear Pump Manufacturing (Pty) Limited (GPM), a South African manufacturer and supplier of replacement parts and components.
 "Commercial Intertech" is a registered trademark or copyright of the Parker Hannifin Corporation (Parker). Any reference to this entity, it's trademark, copyright, product or reference number, is for product comparison and reference purposes only and as such, any referral thereto, should not be construed as implying in any way that Parker product is manufactured or supplied by GPM or that GPM is in any way associated with Parker.

Copyright © 2015 Gear Pump Manufacturing (Pty) Limited. All Rights Reserved. No part of this document may be reproduced in any form or manner without permission.



GEAR PUMP MANUFACTURING

Manufacturing Plant (Cape Town)
15 Moody Ave, Epping 1, Cape Town, South Africa

Tel: +27 (0) 21 531 9330

Fax: +27 (0) 21 531 7096

SALES: sales@gearpumps.co.za

TECHNICAL: technical@gearpumps.co.za

Website: www.gearpumps.co.za



REPRESENTED BY



**Precision
Hydraulics**

6 Impangela Road
Sebenza Ext. 6
Edenvale
1609 Gauteng
South Africa

SALES MANAGER: Wimpie Potgieter
Phone: +27 11 452 5843 | Fax: +27 11 609 7955
Mobile: +27 82 419 0708
Email: wimpiep@dosco.co.za
Website: www.dosco.co.za

SABS
ISO 9001

Manufactured in South Africa

A MEMBER OF THE **Hudaco** GROUP