

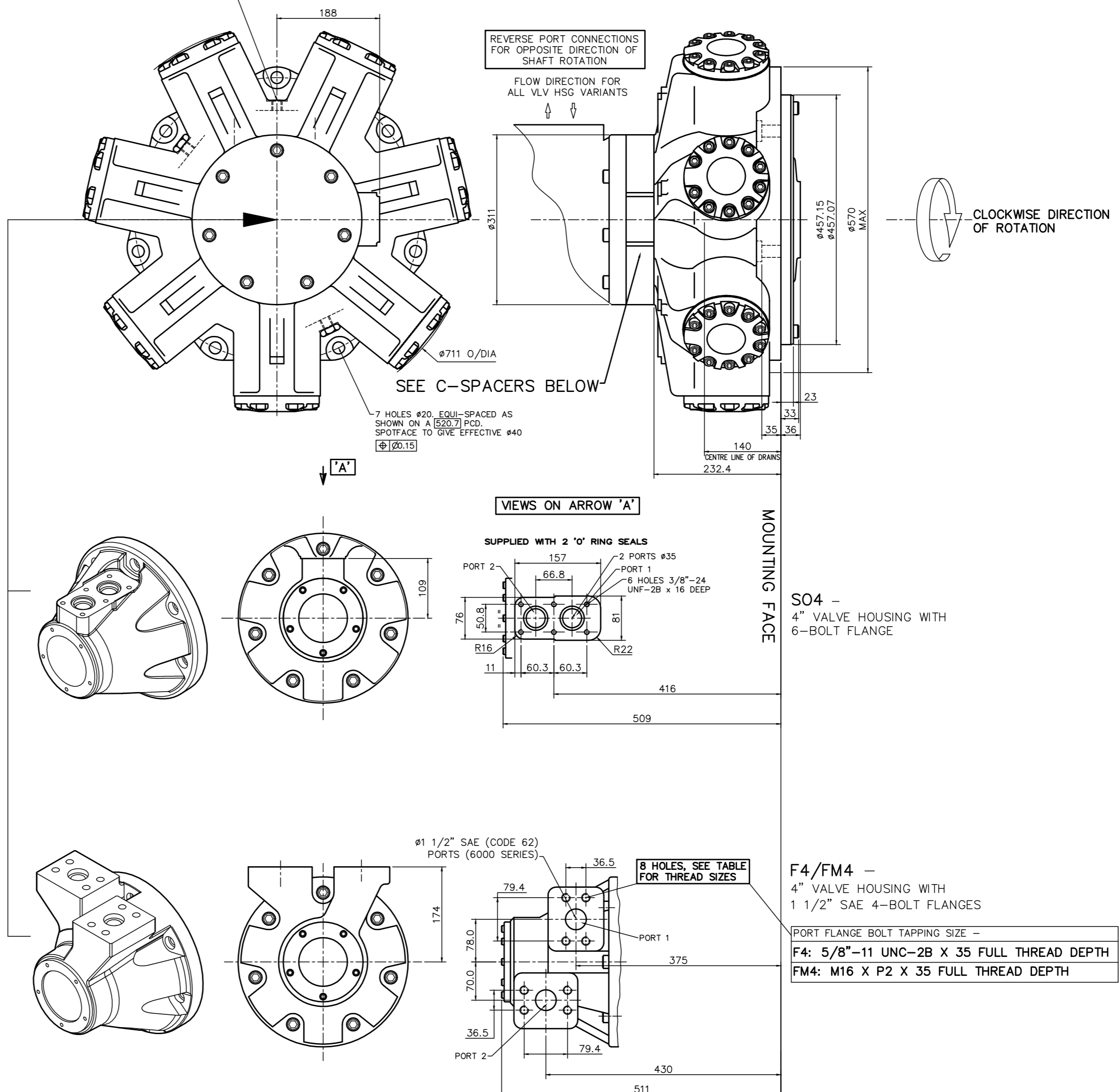
HMC270

VALVE HOUSINGS

EXAMPLE FOR MODEL CODE -
HMC270/S/280/60/FM4/X/71

3/4"-16UNF-2B DRAIN (CHOICE OF 3 POSITIONS)
(2 NORMALLY PLUGGED)

NOTE: - ENSURE ON INSTALLATION THAT DRAIN IS
TAKEN FROM ABOVE MOTOR CENTRELINE.
DO NOT EXCEED 12 DEPTH OF COUPLING
IN TO DRAIN PORT

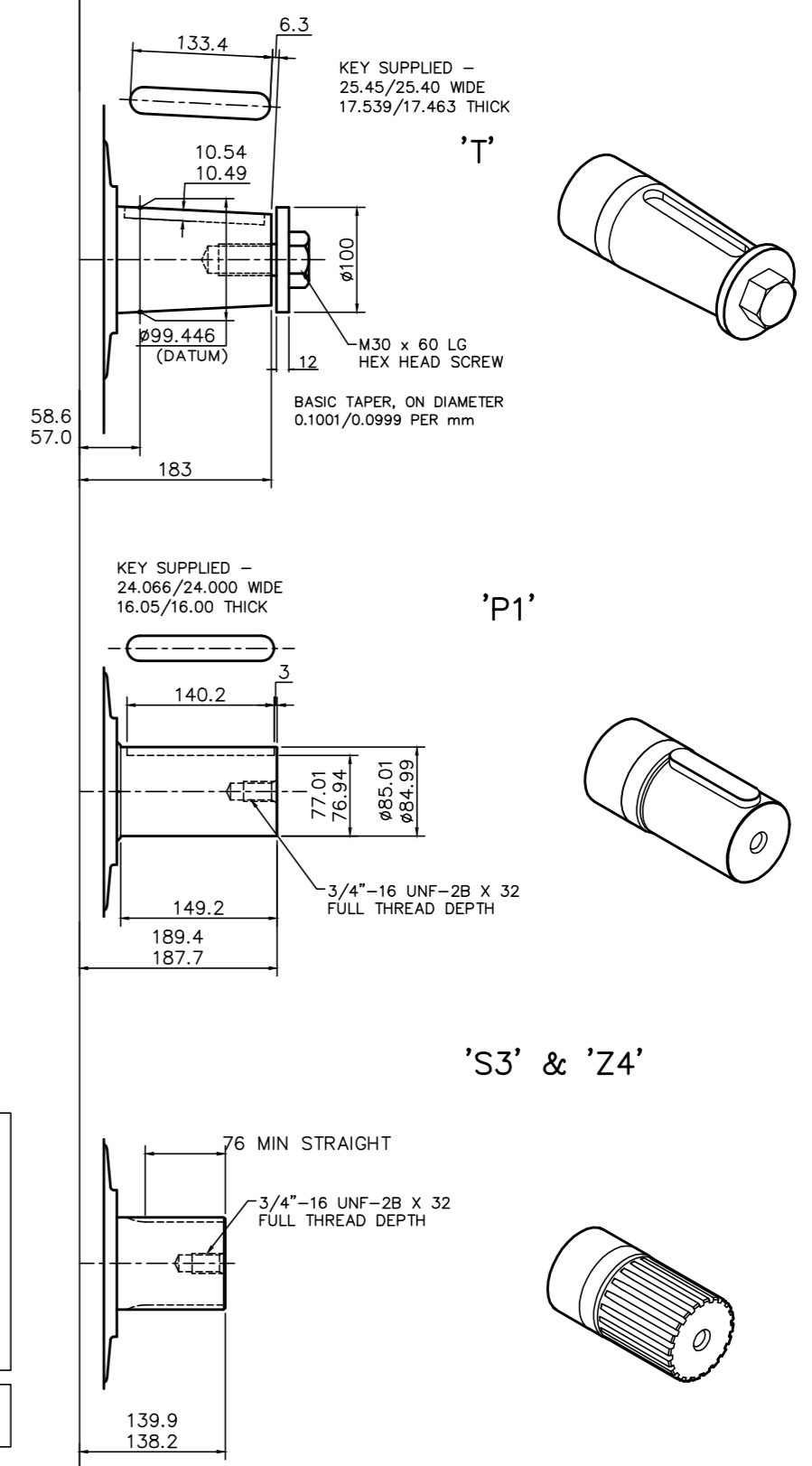


SHAFTS

EXAMPLE FOR MODEL CODE -
HMC270/S/280/60/FM4/X/71

SPLINE DATA

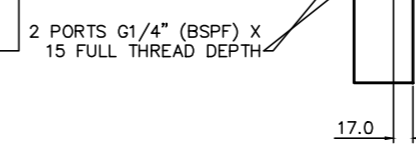
'S'	TO BS 3550 (ANSI B92.1, CLASS 5) FLAT ROOT SIDE FIT, CLASS 1 PRESSURE ANGLE 30° NUMBER OF TEETH 20 PITCH 8/12 MAJOR DIAMETER 87.953/87.825 FORM DIAMETER 80.264 MINOR DIAMETER 79.485/78.925 PIN DIAMETER 8.128 DIAMETER OVER PINS 97.084/97.030
'Z'	DIN 5480 W90 x 4 x 21 x 7h



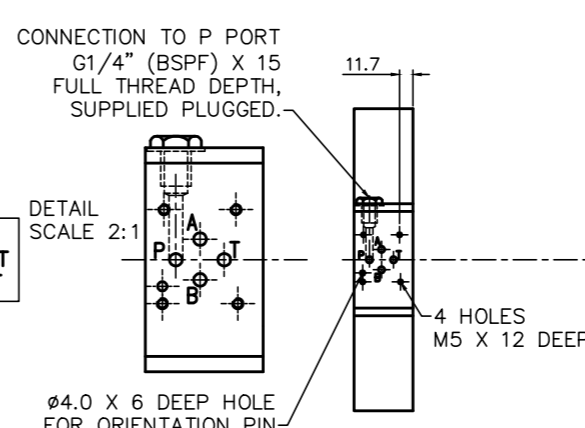
C SPACERS

EXAMPLE FOR MODEL CODE -
HMC270/S/280/60/FM4/X/71

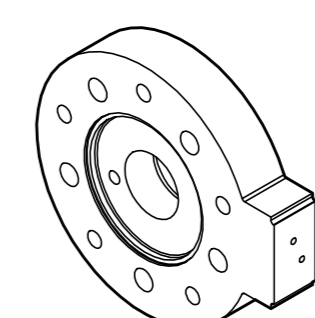
DISPLACEMENT SELECTION (VIA REMOTELY LOCATED VALVE*)
HIGH DISPLACEMENT: P TO Y; X TO T
LOW DISPLACEMENT: P TO X; Y TO T
*DISPLACEMENT SELECTOR VALVE IS NOT SUPPLIED WITH MOTOR; SPECIFY & ORDER SEPARATELY



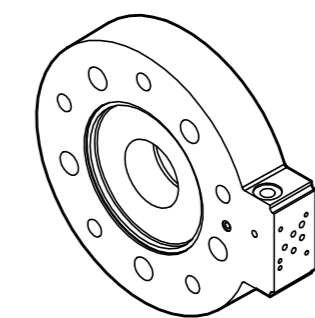
MOUNTING INTERFACE FOR DIRECTIONAL CONTROL VALVE* TO: ISO 4401 SIZE O3/ANSI B93.7M SIZE D03
*DISPLACEMENT SELECTOR VALVE IS NOT SUPPLIED WITH MOTOR; SPECIFY & ORDER SEPARATELY



TYPE X DISPLACEMENT CONTROL



TYPES C, CS & C1 DISPLACEMENT CONTROL



CS TYPE SHUTTLE ENDCAP ON F4 & FM4 ASSEMBLIES ONLY